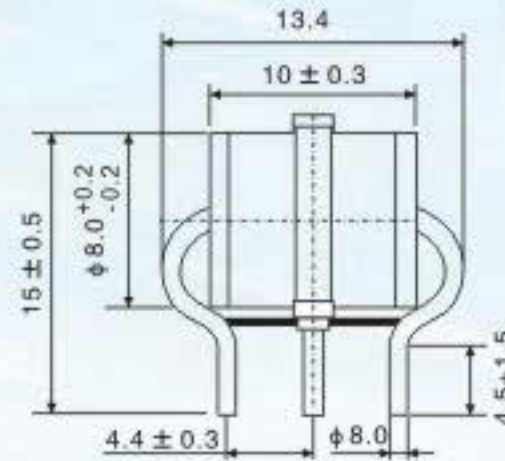


失效保護系列/ Fail-Safe Series



KW	DC SPARK-OVER VOLTAGE	IMPULSE SPARK OVER	NOM IMPULSE DISCHARGE CURRENT(S)	NOM IMPULSE DISCHARGE CURRENT(L)	NOM DISCHARGE CURRENT	INSULATION RESISTANCE		CAPACITANCE
系列	標稱直流擊穿電壓	衝擊擊穿電壓	耐衝擊電流	耐衝擊電流	耐工頻電流	絕緣電阻		電容值
	Vs (V)	Vis(V)	(短波)	(長波)		Ri(GΩ)		C(pF)
P/N	100V/S	1KV/μS	8×20 μS	10×1000 μS	1S ; 50Hz	Min	@	1KHz
		Max	kA	A	A	Gohm	V	Max
KW8A3R75	75 ± 20%	600	5	50	5	10	50	3
KW8A3R90	90 ± 20%	700	5	50	5	10	50	3
KW8A3R150	150 ± 20%	700	5	100	5	10	50	3
KW8A3R230	230 ± 20%	800	5	100	5	10	100	3
KW8A3R350	350 ± 20%	800	5	100	5	10	100	3
KW8A3R470	470 ± 20%	900	5	100	5	10	250	3
KW8A3R600	600 ± 20%	1200	5	100	5	10	250	3